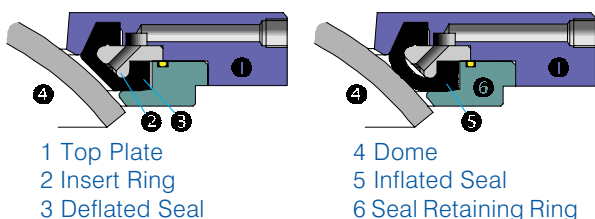


Dome Valve

Introduction

The operating efficiency of all Clyde Materials Handling systems relies upon the unique and patented Clyde Dome Valve, currently installed in over 10,000 applications worldwide. Simple in design and low in maintenance, this high performance valve is used throughout a wide range of industries. In action the Clyde Dome Valve is a pressure tight compressed air operated valve, capable of returning over one million maintenance-free cycles, even in abrasive, hazardous or toxic applications. The fast-closing cut-off valve incorporates a unique inflatable sealing mechanism. This provides the pressure tight seal, against the dome surface when in the closed position.

Inflatable Sealing Mechanism



Before opening, the seal deflates and the dome turns 90°, providing full bore opening for unobstructed material flow.

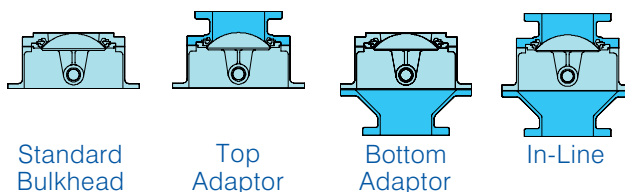
Options

- **Actuator:** Dependant on product size, a choice of Vane or Cylinder actuated models is available on valve sizes greater than 200mm (8"). On smaller models the vane actuator is standard.
- **Customised Manufacture:** Dome Valves can be customised to meet the special requirements of most applications. Optional quality seals and internal coatings are available, applied to the Dome surface only or to the internal surfaces of the Clyde Dome Valve body or the adaptors.

- **Internal Coating Examples:** Tungsten carbide hard coating for abrasive products, hard chrome facing on dome surface for sticky & abrasive products and reinforced PTFE for food applications / sticky / wet products.
- **Materials of Manufacture :** Cast Iron, SG Iron, Stainless Steel.
- **Temperature Ratings:** -20° to 200°C for the standard Dome Valve. Up to 480°C manufactured to order.
- **Pressure Ratings:** 7 bar maximum pressure on the standard Dome Valve. Up to 30 bar manufactured to order.

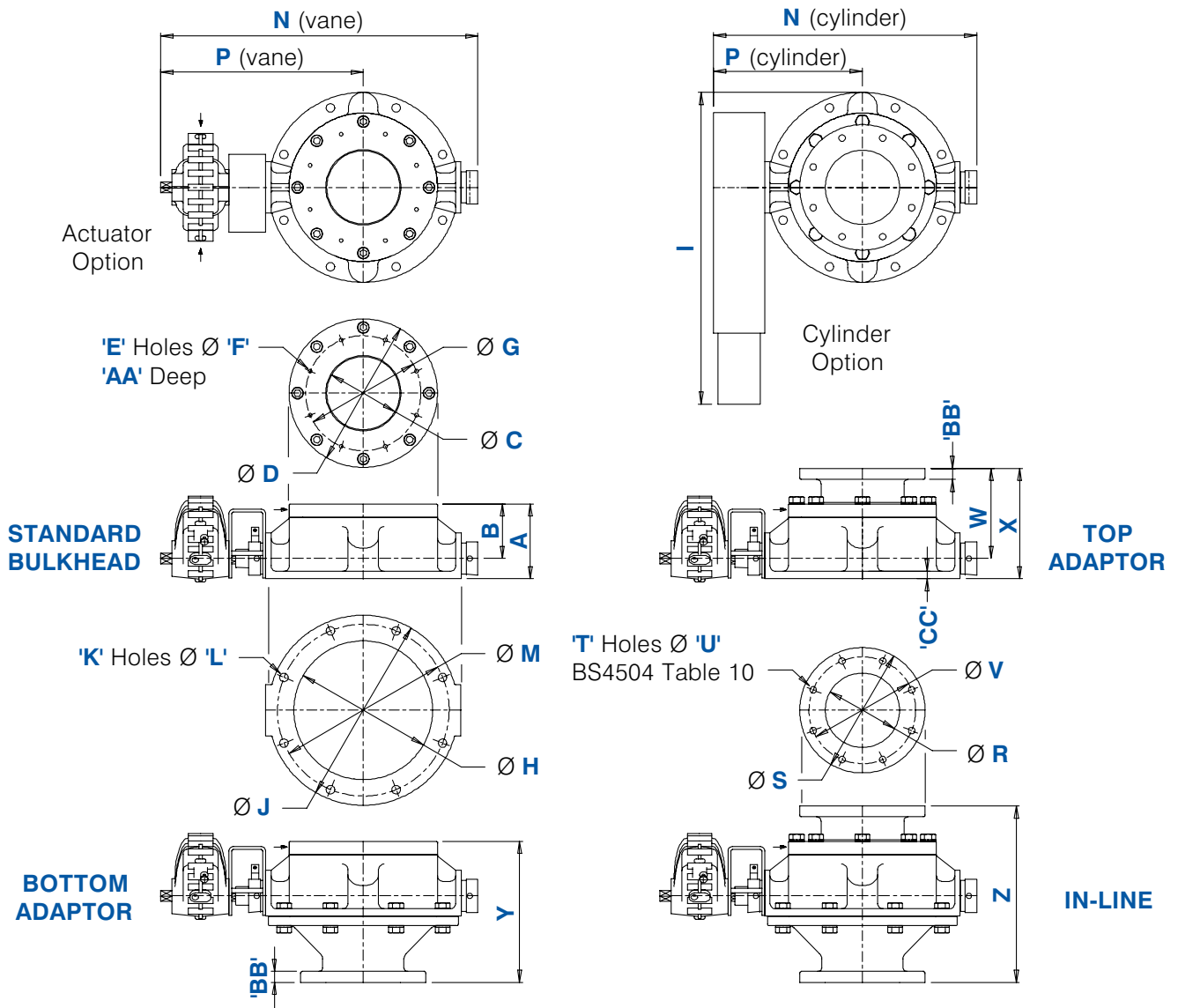
Clyde Dome Valve Configurations

The Clyde Dome Valve is available in four configurations dependant upon operational requirements.



- **Industry Applications:** The Dome Valve is suited to applications in a wide range of industries from food to power, pharmaceutical to mineral and plastics to metals. Capable of moving or static column cut off, the valve handles abrasive, cohesive, fine and dry products with equal ease.





DV	A	B	ØC	ØD	E	ØF	ØG	ØH	I	ØJ	K	ØL	ØM	N (kin)	N (cil)	P (kin)	P (cil)	ØR	ØS	T	ØU	ØV	W	X	Y	Z	AA	BB	CC
50	188	74	51	165	4	M16	125	51		165	4	18	125	373		242											23		18
80	228	90	78	200	8	M16	160	78		200	8	18	160	441		296											23		20
100	137	97	106	250	4	M12	200	240		340	6	18	300	608		402		103	228.6	8	19.0	190.5	173	213	272	348	13	23.8	20
150	169	124	157	320	6	M12	260	312		440	8	22	390	779		513		155	279.4	8	22.2	241.3	212	257	362	450	16	25.4	20
200	205	150	206	406	8	M12	315	390	928	520	8	22	470	870	683	555	368	203	342.9	8	22.2	298.4	247	302	388	485	16	28.6	20
250	249	189	260	390	6	M12	350	480	1212	620	8	26	560	1121	863	725	470	254	406.4	12	25.4	361.9	267	327	487	565	18	30.2	25
300	283	218	306	460	6	M16	410	551	1242	690	12	26	630	1212	963	763	514	305	482.6	12	25.4	431.8	339	404	558	680	18	31.8	28
400	370	285	410	595	16	M16	545	739	1508	1000	12	38	870	1613	1378	999	765	400	596.9	16	28.6	539.7	446	531	723	884	25	36.5	35
500	484	376	508	745	24	M24	685	880	1681	1110	16	39	1030		1740		958	508	698.5	20	31.7	635			857		40	42.9	45

Clyde Materials Handling Limited
 Carolina Court, Lakeside
 Doncaster DN4 5RA UK

Tel: +44 (0) 1302 321 313
 Fax: +44 (0) 1302 554 400

solutions@clydematerials.co.uk

